

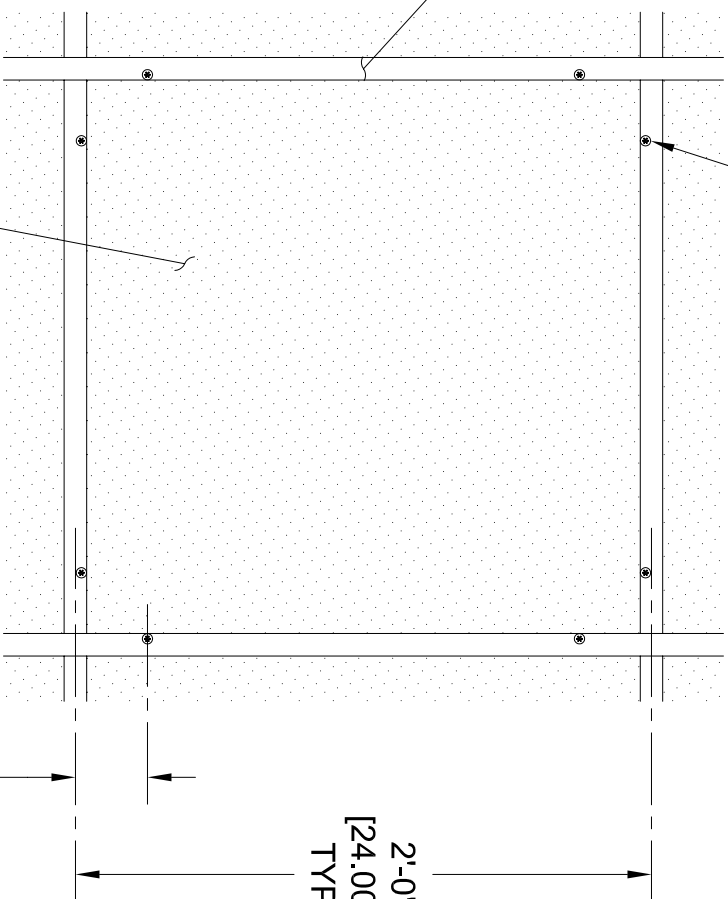
#12 x 3/4" TORX  
SECURITY SCREWS TYP  
(8X) PER ACCESS PANEL

HEAVY DUTY  
SECURITY GRID  
SYSTEM TYP

Lockdown  
ACCESS PANEL

2'-0"  
[24.000"]  
TYP

3"  
[3.000"]  
NOMINAL TYP



TORX® TAMPER RESISTANT SECURITY SCREWS IS A REGISTERED TRADEMARK OF CAMCAR

TITLE

Lockdown®

FACE VIEW AT ACCESS PANEL

**GORDON**  
CORRECTIONS DIVISION

5023 HAZEL JONES ROAD, BOSSIER CITY, LA 71111  
866.733.3851  
800.877.8746 FAX  
SALES@GORDONCORRECTIONS.COM  
GORDONCORRECTIONS.COM